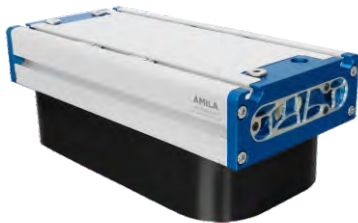
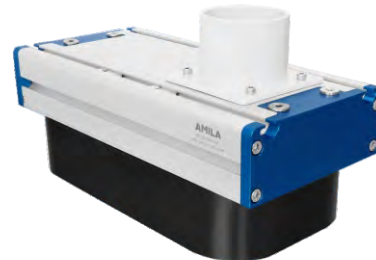


Soft Bag Grippers MSC-X



Soft Bag Grippers MSC-M



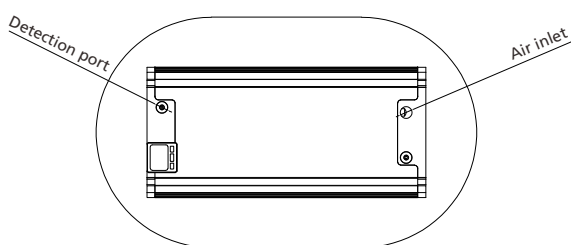
Introduction and application

- ◆ Handling food instead of liquid bags for mobile shelves
- ◆ Packaging system, terminal production line automation, handling machines, etc.

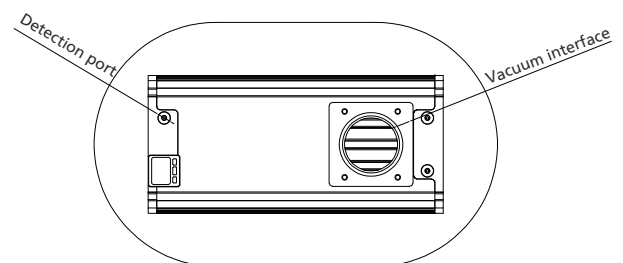
Design

- ◆ Modular design, low energy consumption, low weight, easy to install and maintain
- ◆ MSC-X aluminum profile body with built-in vacuum generator for flexibility
- ◆ MSC-M aluminum profile body, external blower
- ◆ Vacuum detection

System design Soft Bag Grippers MSC-X



System design Soft Bag Grippers MSC-M



Technical Data And Ordering Data Soft Bag Grippers MSC-X

Type	Air consumption [l/min]	Maximum suction capacity [l/min]	Weight [Kg]	Ordering Data
MSC-X-150X80	90	360	2.5	90.03.01.00080
MSC-X-200X100	90	360	2.7	90.03.01.00081
MSC-X-200X130	90	360	2.9	90.03.01.00082
MSC-X-200X180	180	724	3.2	90.03.01.00083
MSC-X-250X130	180	724	3.2	90.03.01.00084
MSC-X-300X130	180	724	3.4	90.03.01.00085
MSC-X-300X180	180	724	3.6	90.03.01.00086
MSC-X-350X150	180	724	3.6	90.03.01.00087
MSC-X-350X180	180	724	3.8	90.03.01.00088
MSC-X-350X250	270	1086	4.1	90.03.01.00089

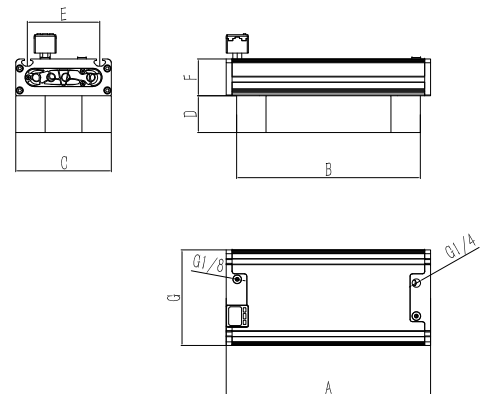
- Combined Suction Cups
- Vacuum Suction Cups
- Composite Suction Cups
- Special Grippers
- Vacuum Gripping Systems
- Mounting Elements
- Vacuum Generators
- Valve Technology
- Switch And Monitoring
- Vacuum Filters

Technical Data And Ordering Data Soft Bag Grippers MSC-M

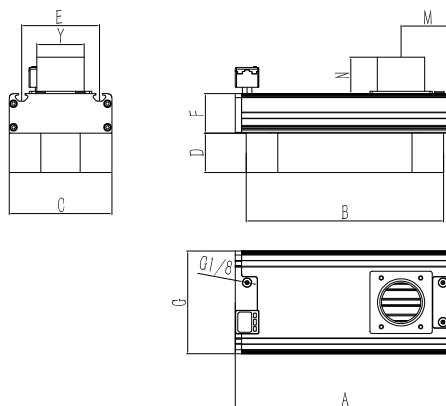
Type	Required suction capacity	Weight	Ordering Data
	[l/min]	[Kg]	
MSC-M-150X80	360	1.3	90.03.01.00090
MSC-M-200X100	360	1.5	90.03.01.00091
MSC-M-200X130	360	1.7	90.03.01.00092
MSC-M-200X180	724	2.0	90.03.01.00093
MSC-M-250X130	724	2.0	90.03.01.00094
MSC-M-300X130	724	2.2	90.03.01.00095
MSC-M-300X180	724	2.4	90.03.01.00096
MSC-M-350X150	724	2.4	90.03.01.00097
MSC-M-350X180	724	2.6	90.03.01.00098
MSC-M-350X250	1086	2.9	90.03.01.00099

Design Data Soft Bag Grippers MSC

MSC-X



MSC-M



Type	Dimensions[mm]									
	A	B	C	D	E	F	G	Y	M	N
MSC-X-150X80	278	150	80	50	98	50	130	-	-	-
MSC-X-200X100	278	200	100	50	98	50	130	-	-	-
MSC-X-200X130	278	200	130	50	98	50	130	-	-	-
MSC-X-200X180	278	200	180	50	98	50	130	-	-	-
MSC-X-250X130	278	250	130	50	98	50	130	-	-	-
MSC-X-300X130	278	300	130	50	98	50	130	-	-	-
MSC-X-300X180	278	300	180	50	98	50	130	-	-	-
MSC-X-350X150	278	350	150	50	98	50	130	-	-	-
MSC-X-350X180	278	350	180	50	98	50	130	-	-	-
MSC-X-350X250	278	350	250	50	98	50	130	-	-	-
MSC-M-150X80	278	150	80	50	98	50	130	60	68	46
MSC-M-200X100	278	200	100	50	98	50	130	60	68	46
MSC-M-200X130	278	200	130	50	98	50	130	60	68	46
MSC-M-200X180	278	200	180	50	98	50	130	60	68	46
MSC-M-250X130	278	250	130	50	98	50	130	60	68	46
MSC-M-300X130	278	300	130	50	98	50	130	60	68	46
MSC-M-300X180	278	300	180	50	98	50	130	60	68	46
MSC-M-350X150	278	350	150	50	98	50	130	60	68	46
MSC-M-350X180	278	350	180	50	98	50	130	60	68	46
MSC-M-350X250	278	350	250	50	98	50	130	60	68	46